



**Bobcat**<sup>®</sup>

**323**



**EXCAVATORS**

## Specifications

### Weights

|                                    |         |
|------------------------------------|---------|
| Operating weight with ROPS canopy  | 1658 kg |
| Additional weight for cab          | 95 kg   |
| Additional weight for steel tracks | 53 kg   |

### Engine

|                              |                        |
|------------------------------|------------------------|
| Make / model                 | Kubota / D722-E28-BC-5 |
| Fuel / Cooling               | Diesel / Liquid        |
| Maximum power                | 9.9 kW                 |
| Torque at 2000 RPM (SAE Net) | 42.2 Nm                |
| Number of cylinders          | 3                      |
| Displacement                 | 0.72 l                 |
| Bore / Stroke                | 67 mm / 68 mm          |
| Alternator                   | 12 V — 40 A            |
| Starter                      | 12 V — 1.4 kW          |

### Controls

|            |  |
|------------|--|
| Steering   | Direction and speed controlled by two hand levers or foot pedals         |
| Hydraulics | Two joysticks control boom, bucket, dipperstick and upper structure slew |

### Hydraulic System

|   |                                       |
|---|---------------------------------------|
| Pump type                                     | Engine-driven                         |
| Pump 1 capacity                               | 13.0 l/min at 2500 RPM                |
| Pump 2 and 3 capacity                         | 15.0 l/min at 2500 RPM                |
| Auxiliary flow                                | 30.0 l/min                            |
| System relief pressure for implement circuits | 186 bar                               |
| System relief pressure for auxiliary circuits | 172 bar                               |
| Control valve                                 | Nine-spool parallel type, open centre |

### Performance

|                                    |          |
|------------------------------------|----------|
| Digging force, dipperstick         | 8879 N   |
| Digging force, bucket              | 16685 N  |
| Drawbar pull                       | 16280 N  |
| Ground pressure with rubber tracks | 28.4 kPa |
| Travel speed, low range            | 2.3 km/h |
| Travel speed, high range           | 3.8 km/h |
| Maximum reach at ground level      | 3912 mm  |
| Maximum dump height                | 2548 mm  |
| Maximum digging depth              | 2297 mm  |

### Slew System

|                   |  |
|-------------------|--|
| Boom swing, left  | 50°  |
| Boom swing, right | 90°  |
| Slew circle       | Single row shear-type ball bearings with internal gear |
| Slew drive        | Orbit motor  |
| Slew rate         | 10.2 RPM   |

### Traction

|   |        |
|---|--------|
| Track width, rubber, standard                     | 230 mm |
| Number of track rollers per side                  | 3      |
| Gradeability travelling down or backing up slopes | 30°    |

### Brakes

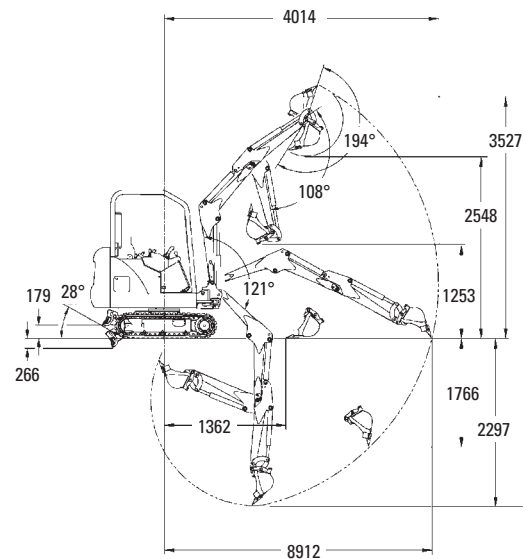
|              |                                      |
|--------------|--------------------------------------|
| Travel brake | Hydraulic lock on motor              |
| Slew brake   | Hydraulic lock on motor and pin lock |

### Fluid Capacities

|                                    |        |
|------------------------------------|--------|
| Cooling system                     | 5.7 l  |
| Engine lubrication plus oil filter | 3.5 l  |
| Fuel reservoir                     | 27.5 l |
| Hydraulic reservoir                | 6.5 l  |
| Hydraulic system                   | 18.5 l |

### Working Range

All dimensions in mm.



### Dimensions

All dimensions in mm.

